



- **Test-A-Pack quality and reliability**
- **Automatic control**
- **Burst and creep capability**
- **0.2% pressure accuracy**
- **0.3 in H<sub>2</sub>O resolution**
- **Serial data output**

---

### **Application:**

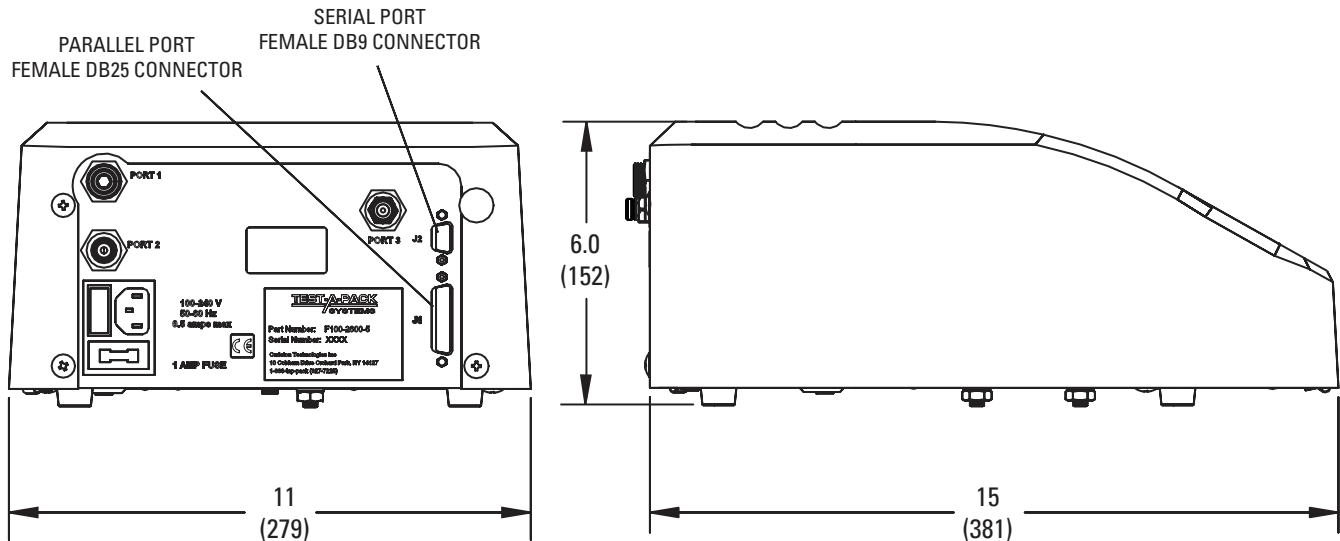
The Test-A-Pack Model F100-2600-3 Seal Strength Tester is the heart of the world's most advanced package testing system. It automatically regulates air pressure to determine the seal strength of a wide variety of porous and non-porous packages used in the medical, food and pharmaceutical industries. The tester is ideal for performing burst and creep tests in accordance with ASTM F1140-2000 and is a valuable tool for users seeking ISO 11607 compliance.

### **Features:**

This tester is a highly accurate, multifunctional pressure control and monitoring device. The burst test function automatically inflates the test sample until seal failure occurs. The creep test feature checks package seals under sustained pressure. The creep-to-burst feature sequentially checks minimum required seal strength and maximum pressure at burst. The operator sets test variables using easy to follow menu screens, and then initiates the test sequence by simply pressing the start button. Test results are displayed on the screen and are held in memory. The tester includes a parallel printer port and a serial output port for easy interface with a PC.

# SPECIFICATIONS

## Seal Strength Tester Part Number: F100-2600-3



All dimensions in inch (mm)

### Specifications:

<b>Air Source</b>	70 to 100 psig dry, oil-free, instrument quality air
<b>Electrical Power</b>	85 to 264 VAC @ 47 to 63 Hz
<b>Input/Output</b>	DB25 female parallel printer port, DB9 female serial port

### Environment:

<b>Temperature</b>		
<b>Operating</b>	40 to 110 deg F	(4 to 43 deg C)
<b>Non-operating</b>	0 to 126 deg F	(-18 to 52 deg C)
<b>Humidity</b>	Up to 90% R.H.	

### Performance:

<b>Pressure accuracy</b>	0.2% full scale (50 PSI)
<b>Pressure resolution</b>	0.3 in H <sub>2</sub> O
<b>Sensitivity adjustment</b>	9 programmable settings
<b>Flow adjustment</b>	9 programmable settings

### Testing Range:

	In H <sub>2</sub> O	PSI	KPa	CM H <sub>2</sub> O
<b>Min. Burst</b>	5	0.2	1.2	13
<b>Max. Burst</b>	1,384	50	344	3,519
<b>Min. Creep</b>	5	1	3	13
<b>Max. Creep</b>	1,384	50	344	3,514

### Ordering Information:

<b>Part Number</b>	F100-2600-5
<b>Description</b>	Seal Strength Tester
<b>Relevant Dim.</b>	11.4" W x 15.0" L x 6.0" H
<b>Weight</b>	13 lbs