



- **Lightweight, compact design**
- **Oxygen compatible**
- **Two flow rate options**
- **In-line configuration**

Application:

Carleton's bleed valve is an integral part of aircraft crew oxygen systems, being connected on the low-pressure distribution line. When actuated as part of pre-flight checks, it safely vents oxygen from the low-pressure distribution line to demonstrate operational integrity of the upstream gaseous oxygen supply. When the bleed valve is returned to the closed position, the low-pressure lines should be recharged from the oxygen cylinder. However, if the hand valve is in the closed position, the lines will not be replenished and the pre-flight check would fail.

Carleton's bleed valve assembly (part number B19820) has been qualified to Boeing S475W002 and is currently installed as OEM equipment on Boeing 777 aircraft.

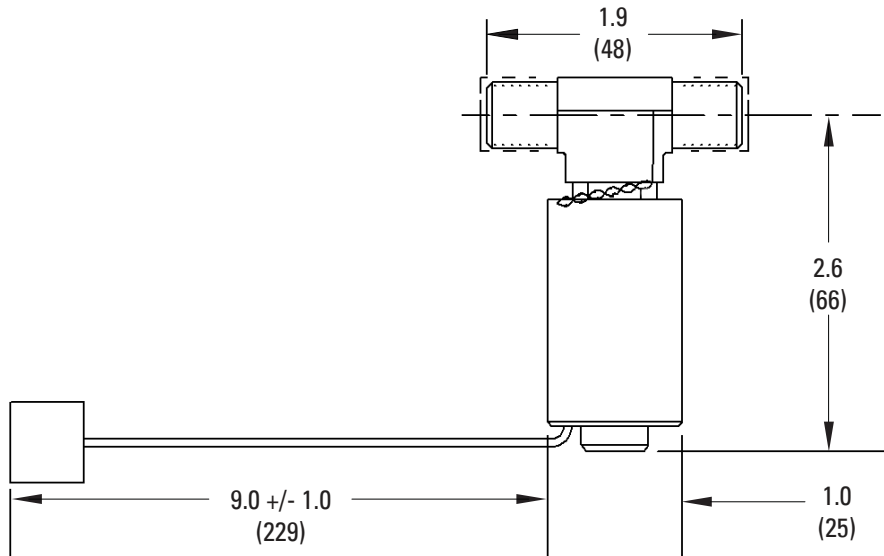
Features:

The bleed valve uses a direct acting solenoid to remotely vent the low-pressure distribution line. The lightweight, low profile, in-line design simplifies installation on new or retrofit systems. The valve is designed to be in the closed position when de-energized (normally closed) to minimize overall power consumption.

The valve is available in two flow rate options. A 12-slp_m flow rate is available for typical low-pressure distribution line volumes and an 18-slp_m flow rate option is available for systems with larger line volumes.

SPECIFICATIONS

Bleed Valve Part Number: B19820



All dimensions in inch (mm)

Specifications:

Inlet Pressure	60 to 90 psig	(4.1 to 6.2 bar)
Flow Rate (B19820-1)	12 slpm oxygen @ 70 psig inlet	(4.8 bar)
Flow Rate (B19820-3)	18 slpm oxygen @ 70 psig inlet	(4.8 bar)
Voltage	19-32 VDC	
Maximum Current	0.5 amps @ 28 VDC	
Media	Gaseous Oxygen per MIL-PRF-27210	
Leakage	<3.0 cc/hr @ 90 psig	
Weight	<.42 lbs	(.19 kg)

Operating Environment:

Temperature	-65 to 160 deg F	(-54 to 71 deg C)
Acceleration	9 g	
Vibration	3.8 Grms	

Product Interfaces:

Inlet Port	MS33514-5
Outlet Port	MS33514-5
Electrical Connector	AMC02PA03W