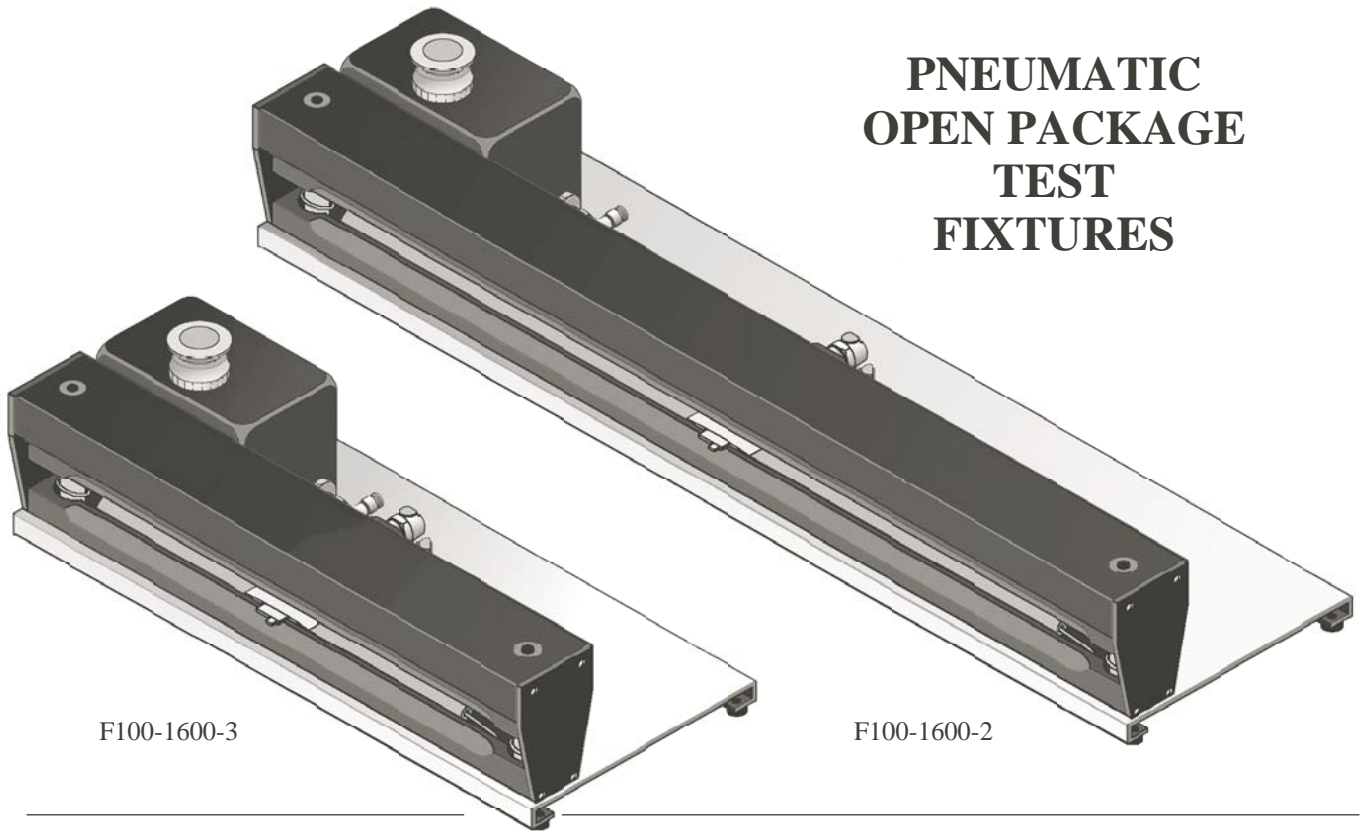


OPERATOR'S MANUAL

Installation & Operation

TEST-A-PACK
SYSTEMS

PNEUMATIC OPEN PACKAGE TEST FIXTURES



F100-1600-3

F100-1600-2

DESCRIPTION:

The Pneumatic Open Package Test Fixtures are designed to be used with the F100-2600 Test-A-Pack Automatic Control Console. The Pneumatic Open Package Test Fixtures provide a quick and convenient method to retain and test open ended pouches. Model F100-1600-3 is used to test pouches up to 12 inches wide. Model F100-1600-2 will accommodate pouches up to 24 inches wide.

CAUTION:

Read and follow all safety precautions and instructions before operating this equipment.

CARLETON

Carleton Technologies Inc

10 Cobham Drive
Orchard Park, New York 14127-4195
Telephone: 716-662-0006
Fax: 716-662-0747

WARNING:



- Use eye and ear protection while operating the Pneumatic Open Package Test Fixture.
 - Packages and/or package contents can become airborne projectiles during testing. Personnel must take adequate safety precautions.
 - Keep fingers away from clamping area when actuating the system.
 - Do not attempt to increase air pressure to the pneumatic seal. The potential for serious injury exists if the pneumatic seal is overpressurized.
 - Air pressure must be off during system installation.
-

CAUTION:



The Pneumatic Open Package Test Fixture and the Automatic Control Console require an instrument quality dry air supply. The use of contaminated air may damage internal components, degrade performance and void the warranty.

INSTALLATION:

- A** If the Automatic Control Console **(2)** is already equipped with a user supplied air inlet connector **(1)**, remove this fitting from the 70-100 PSI Air Inlet Port **(Port 1)**.
- B** Attach the Air Supply Adapter **(3)** to the Air Inlet Port **(Port 1)**. It may be necessary to remove the Pressure Sensing Port tube-fitting from the Pressure Sensing Port **(Port 3)** on older F100-2600 models.
- C** Install a suitable air inlet connector into the Air Supply Adapter **(3)** and, on older models, reinstall the tube-fitting into Port 3.
- D** Attach the plain end of the 1/4" Air Supply Tube **(5)** to the Test Fixture Air Supply Fitting **(6)** by firmly pushing the tube in. The tube will automatically lock in place. Insert the male fitting at the opposite end of the 1/4" Air Supply Tube **(5)** into the plastic connector on the side of the Air Supply Adapter **(3)**.
- E** Insert the plain end of the 3/8" Pressure Supply Tube **(7)** into the Pressure Outlet Port **(Port 2)** on the Control Console. Insert the male fitting at the opposite end of the tube into the Pressure Port **(8)** on the test fixture.

- F** Insert the plain end of the 1/4" Sensing Tube (9) into the Pressure Sensing Port (Port 3) on the Control Console. Insert the male fitting at the opposite end of the tube into the Pressure Sensing Port (10) on the test fixture.
- G** Apply 70-100 PSI of clean, dry instrument quality air to the air inlet connector (1) in the Air Inlet Port (Port 1).

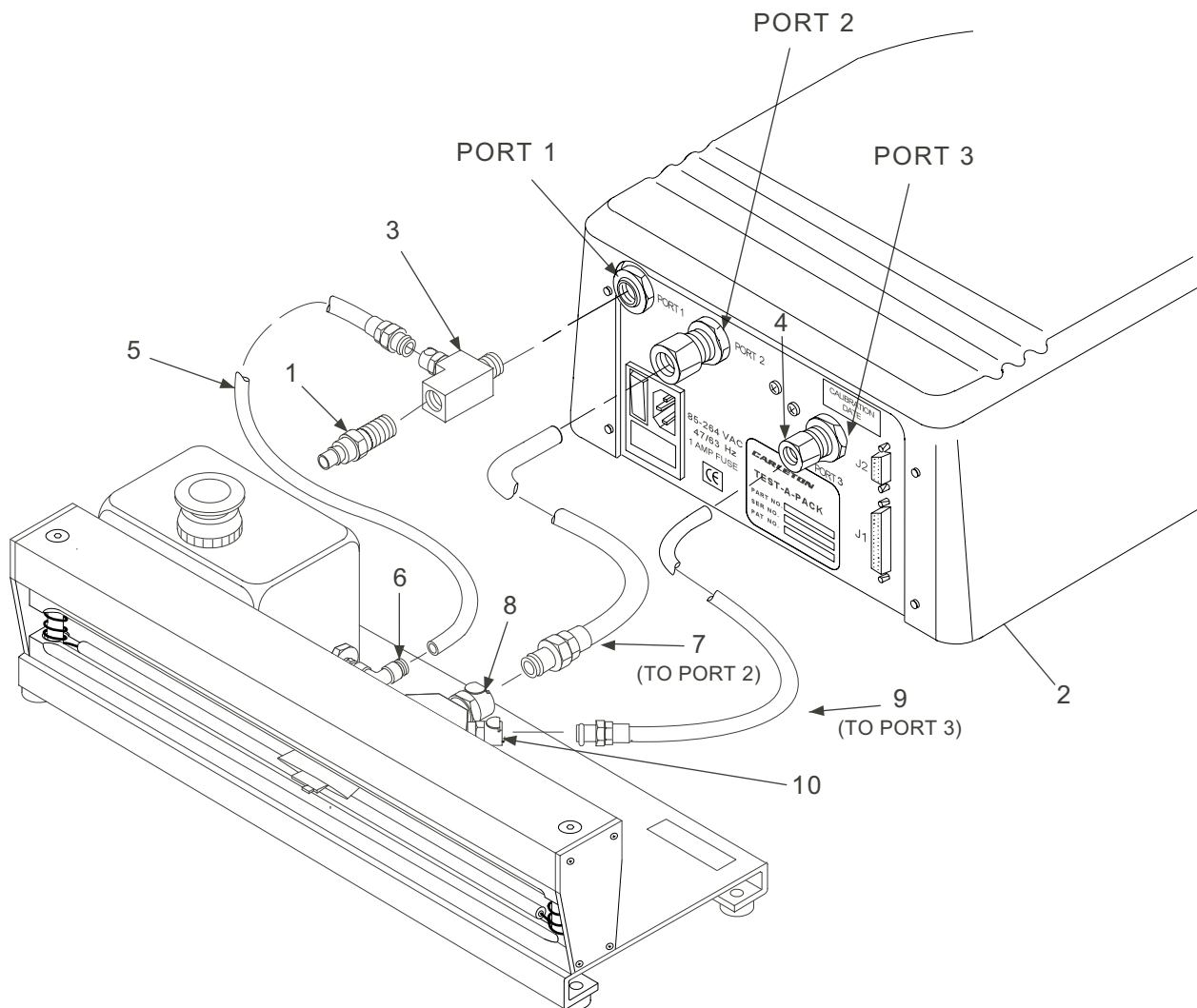


Figure 1. Pneumatic Open Package Test Fixture Hookup

OPERATION:

Refer to Figure 2.

- A** Open the pouch to be tested and carefully slide it over the test fixture's inflation port (1) until it touches the metal stops (2).
- B** Press down on actuator button (3) to clamp the pouch in place.
- C** After test, pull up on the actuator button to release the pneumatic bladder (4). The actuator will pop up when the pressure is released from the bladder.
- D** Remove the pouch from the test fixture.

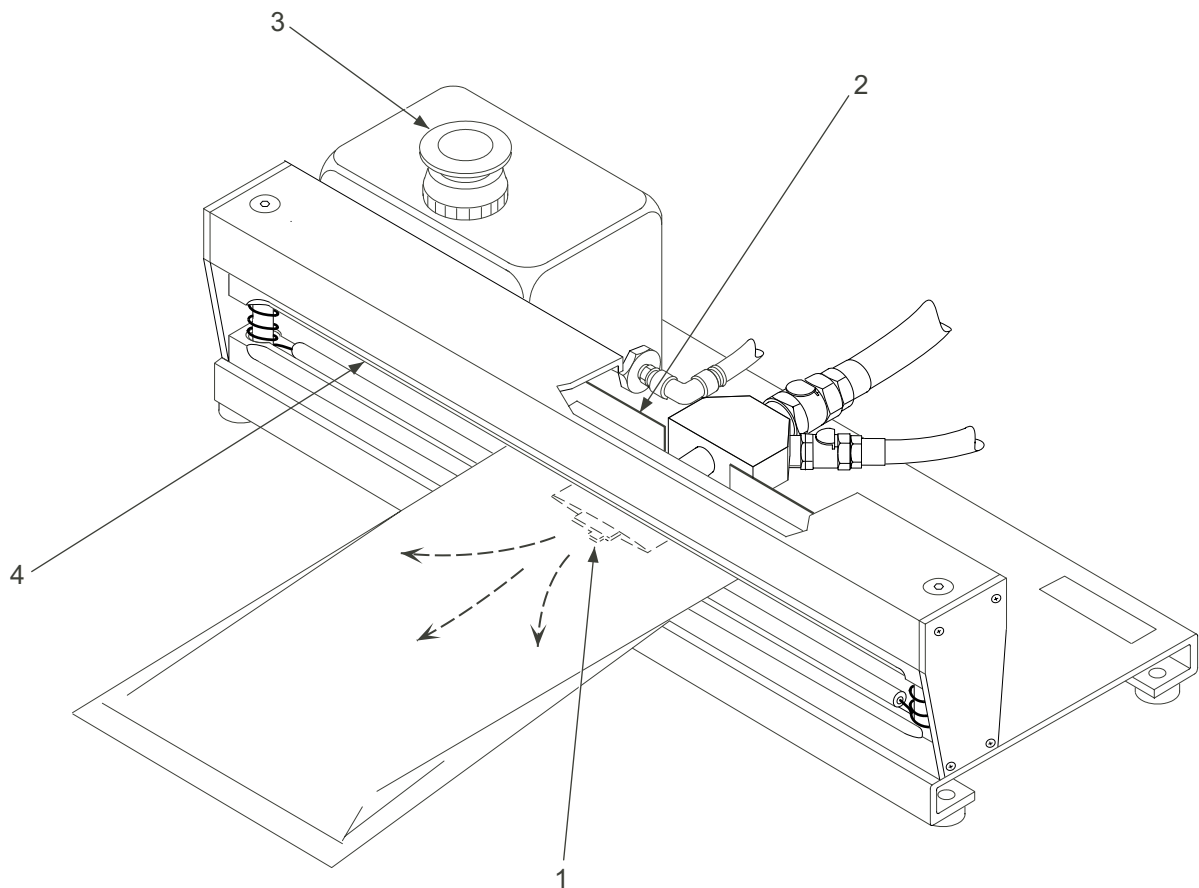


Figure 2. Pneumatic Open Package Test Fixture Operation Guide