

CRU-103 CHEST MOUNTED OXYGEN REGULATOR



- **LOX and OBOGS compatible**
- **100% Oxygen (no dilution)**
- **Lightweight**
- **High flow capacity**

Application:

The CRU-103 Oxygen Regulator (part number F241-2300-5) regulates oxygen to an aircrew member during flight. The regulator is a chest mounted device that accounts for changes in altitude and G-levels as encountered by the user. The CRU-103 replaces CRU-79, CRU-82 and CRU-88 Oxygen Regulators.

The unit was originally designed and developed for the U.S. Navy for the Navy Combat Edge (NCE) program. It has since been adopted for use in all Navy chest mounted applications.

Features:

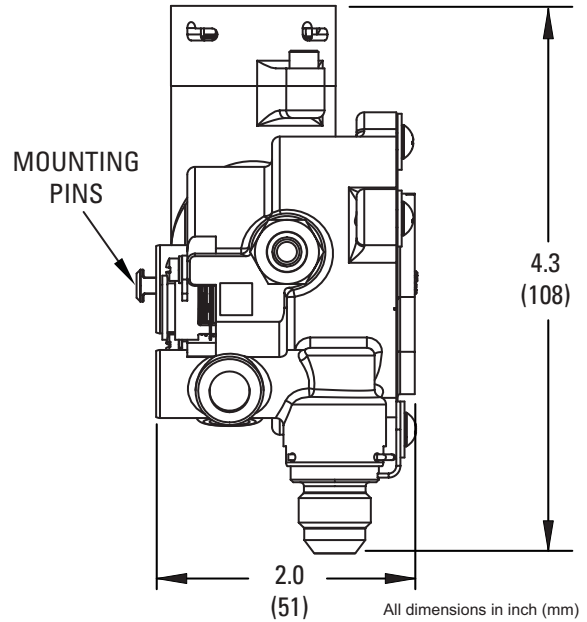
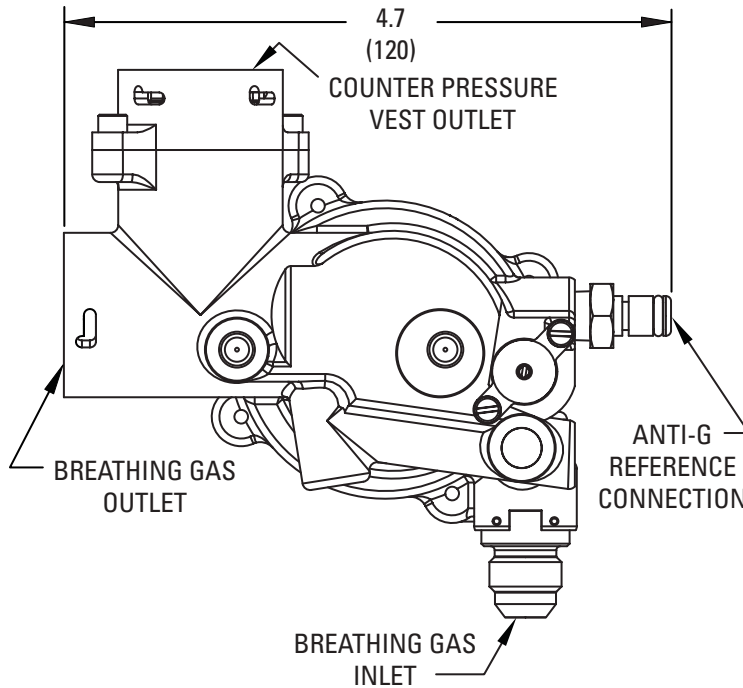
The CRU-103 is a positive pressure regulator that provides oxygen flow upon demand. It supplies 100% oxygen with no dilution and is designed to work with either Liquid Oxygen (LOX) or On-Board Oxygen Generating Systems (OBOGS).

Pressure Breathing for Altitude (PBA) and Pressure Breathing for G's (PBG) are an integral part of the design. The regulator compensates for changes in altitude and G's by increasing or decreasing outlet pressure as required.

SPECIFICATIONS

Oxygen Regulator

Part Number: F241-2300-5



Specifications:

Operating Pressure	5 to 120 psig	(350 to 8,300 mbar)
Flow	0 to 240 slpm	
Operating Altitude	0 to 50,000 ft	(0 to 15,240 m)
Weight	13 oz max	(368.5 grams)
Safety Pressure	0.5 to 1.5 in. H ₂ O up to 35,000 ft	(1.2 to 3.7 mbar) (10,668 m)

Pressure Breathing for Altitude (PBA)

up to 20 in. H ₂ O	(50 mbar)
34,000 to 50,000 ft	(10,363 to 15,240 m)

Pressure Breathing for G's (PBG)

up to 28.5 in. H ₂ O	(71 mbar)
at 9.5 input psig	(655 mbar)

NSN 1660-01-499-6703

Operating Environment:

Temperature	-65 to 160 deg F	(-54 to 71 deg C)
Humidity	0 to 100%	
Shock	29 inch (74 cm) drop onto 2 inch (5 cm) plywood over concrete	
Vibration	500 to 2500 cycles/min at 0.019 DA for 3 hours per axis	

Product Interfaces:

Supply	Adapters supplied for - 6AN or 1/8 NPT for LOX or OBOGS applications
Mask	3-pin to mate with MS27796
Vest	4-pin to mate with NSN 1820-01-317-1357 vest valve
G's	Mates with Colder Products 1/8 in. Quick Disconnect
Mounting	Attaches to Mounting Bracket NSN 1660-01-167-6125